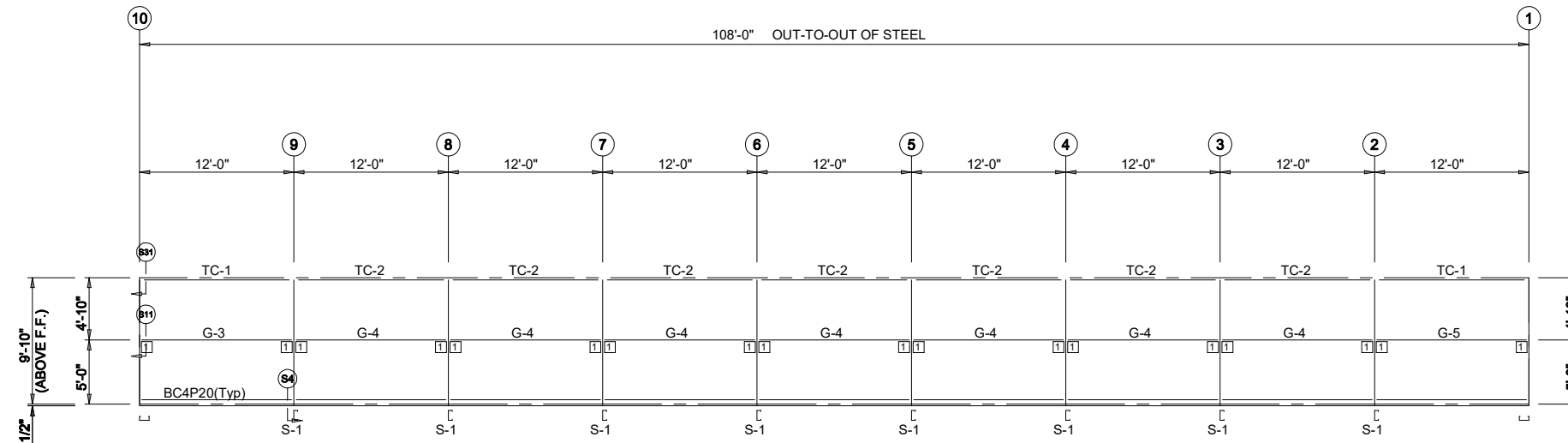
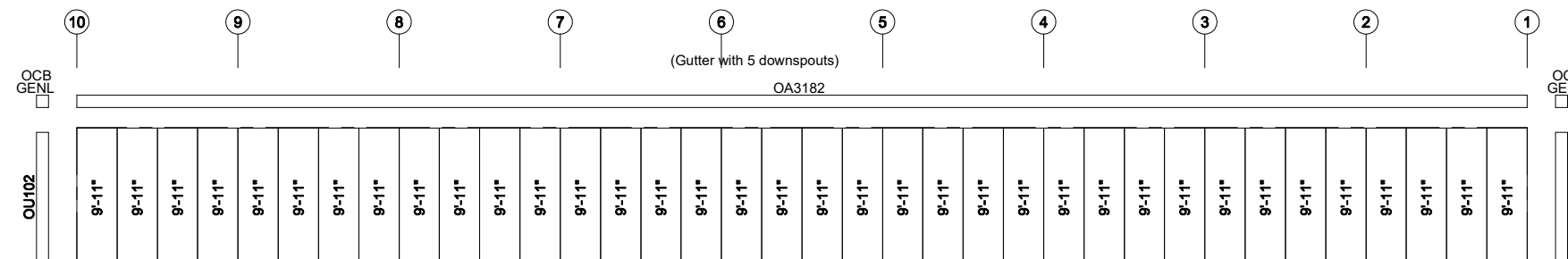


MEMBER TABLE		
MARK	PART	LENGTH
S-1	C4216	9'-10"
TC-1	U4216	11'-11 3/4"
TC-2	U4216	12'-0"
G-3	C42514	11'-8"
G-4	C42514	11'-10"
G-5	C42514	11'-6"

CONNECTION PLATES	
ID	MARK/PART
1	MINICLIP



SIDEWALL FRAMING FRAME LINE: A



SIDEWALL SHEETING & TRIM FRAME LINE: A

PANELS: 26 Ga. RL - Gray 40 yr

CONFIDENTIAL AND PROPRIETARY INFORMATION  
 THESE DRAWINGS ARE THE SOLE AND EXCLUSIVE PROPERTY OF WILSHAR STEEL. SENSITIVE, PRIVILEGED, AND CONFIDENTIAL INFORMATION CONTAINED HEREIN IS NOT TO BE DISCLOSED OR REPRODUCED TO UNAUTHORIZED PERSONS IS STRICTLY PROHIBITED. THESE PROJECTS MAY NOT BE USED TO CONSTRUCT LIKE PROJECTS WITHOUT WRITTEN PERMISSION FROM WILSHAR STEEL. COPIES MUST BE RETURNED UPON DEMAND.

Locked\_Loon\_1  
 PROJECT: 40 x 108 x 9.8 x 11.5  
 LOCATION: Cologne, MN 55332  
 Locked Loon Expansion

**Wilshar Steel**  
 124 Mt. Hebron Rd.  
 Lowell, AR 72745  
 Phone: 479-986-0311

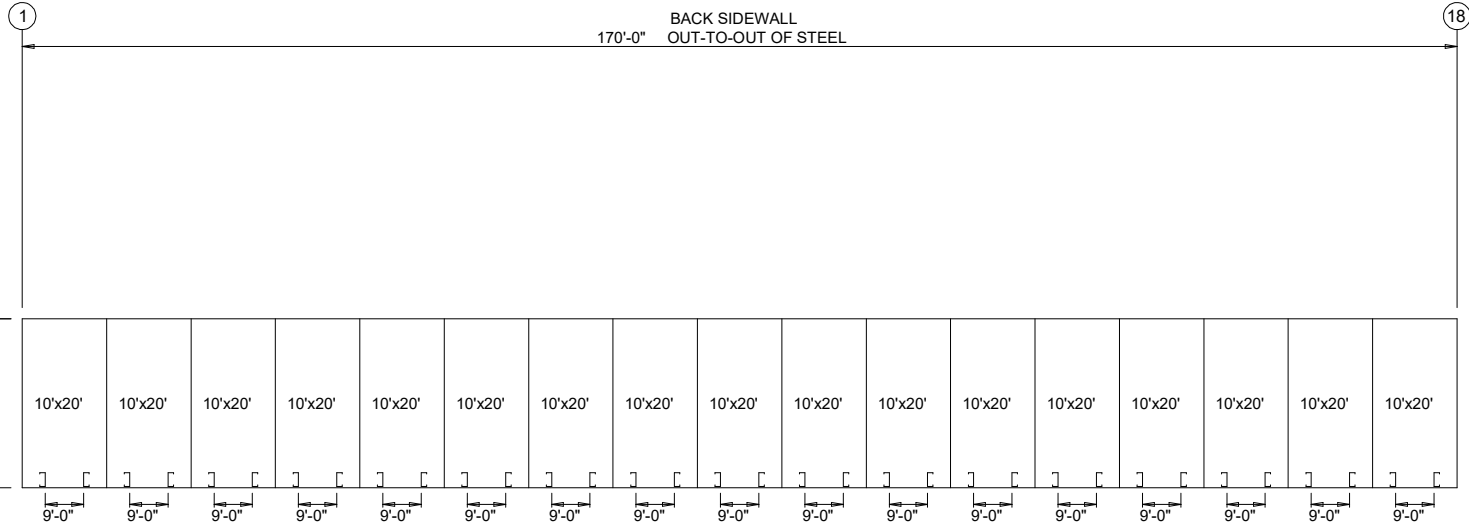
DWG # .

Sheet

07

DATE	BY	APPROVAL	PRINTS ISSUED FOR
6/ 2/25			

20'-0" LEFT ENDWALL  
OUT-TO-OUT OF STEEL



FRONT SIDEWALL  
UNIT LAYOUT PLAN

RIGHT ENDWALL

**Wilshar**  
**WSTEEL**  
124 Mt. Hebron Rd.  
Lowell, AR 72745  
Phone: 479-986-0311

DWG # .

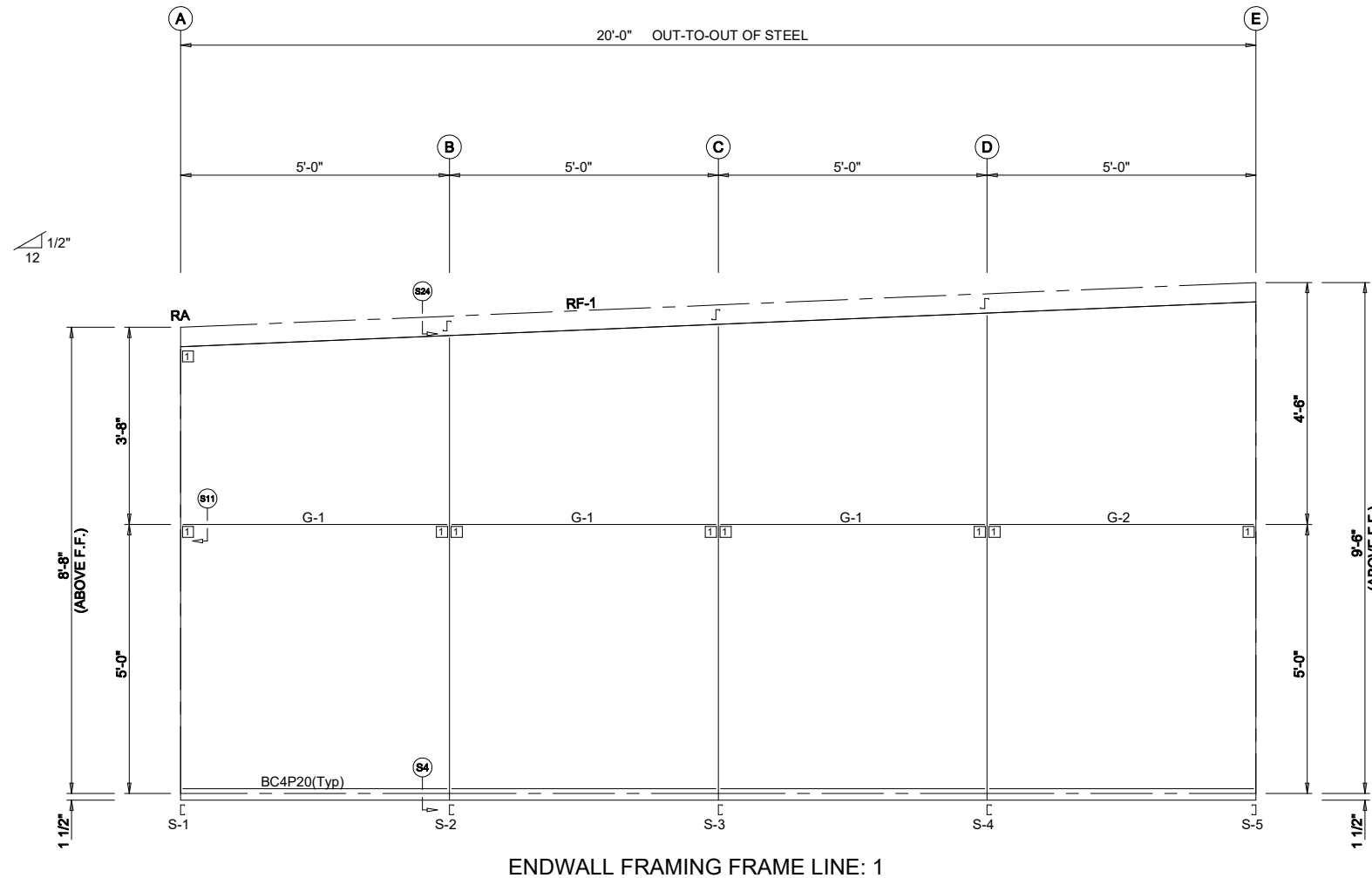
Sheet

15

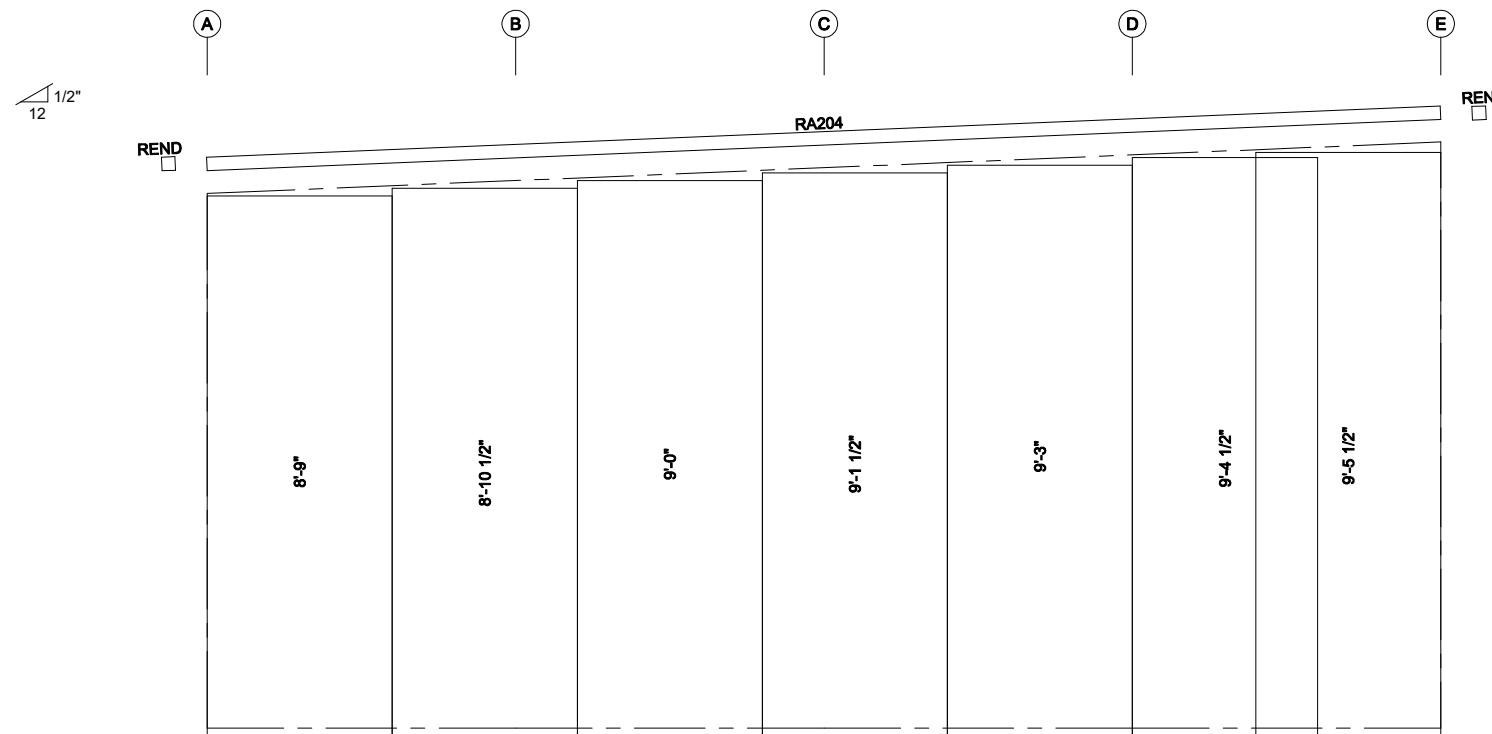
Locked\_Loon\_2  
PROJECT: 20 x 170 x 8.7 x 9.5  
LOCATION: Cologne, MN 55332  
Locked Loon Expansion

CONFIDENTIAL AND PROPRIETARY INFORMATION  
THESE DRAWINGS ARE THE SOLE AND EXCLUSIVE PROPERTY OF WILSHAR STEEL. SENSITIVE, PRIVILEGED, AND CONFIDENTIAL INFORMATION CONTAINED HEREIN IS NOT TO BE DISCLOSED OR USED FOR THE BENEFIT OF ANY OTHER PERSONS WITHOUT THE WRITTEN PERMISSION OF WILSHAR STEEL. UNAUTHORIZED PERSONS IS STRICTLY PROHIBITED THESE DRAWINGS MAY NOT BE USED TO CONSTRUCT LIKE PROJECTS WITHOUT WRITTEN PERMISSION FROM WILSHAR STEEL. THIS DOCUMENT AND ANY COPIES MUST BE RETURNED UPON DEMAND.

APPROVAL	BY	DATE
		6/ 2/25
PRINTS ISSUED FOR		



ENDWALL FRAMING FRAME LINE: 1



ENDWALL SHEETING & TRIM FRAME LINE: 1

PANELS: 26 Ga. RL - Gray 40 yr

MARK	PART	LENGTH
S-1	C4216	8'-8"
S-2	C4216	8'-10 1/2"
S-3	C4216	9'-1"
S-4	C4216	9'-3 1/2"
S-5	C4216	9'-7 1/2"
RF-1	C4216	20'-0 3/16"
G-1	C4216	4'-10"
G-2	C4216	4'-8"

CONNECTION PLATES

ID	MARK/PART
1	MINICLIP

DATE	BY	APPROVAL
6/ 2/25		

CONFIDENTIAL AND PROPRIETARY INFORMATION  
 THESE DRAWINGS ARE THE SOLE AND EXCLUSIVE PROPERTY OF WILSHAR STEEL. SENSITIVE, PRIVILEGED, AND CONFIDENTIAL INFORMATION CONTAINED HEREIN IS NOT TO BE DISCLOSED OR REPRODUCED TO ANY OTHER PERSONS WITHOUT THE WRITTEN PERMISSION OF WILSHAR STEEL. UNAUTHORIZED PERSONS ARE STRICTLY PROHIBITED FROM USING THESE DRAWINGS TO CONSTRUCT OR TO CONSTRUCT LIKE PROJECTS WITHOUT WRITTEN PERMISSION FROM WILSHAR STEEL. THIS DOCUMENT AND ITS CONTENTS MUST BE RETURNED UPON DEMAND.

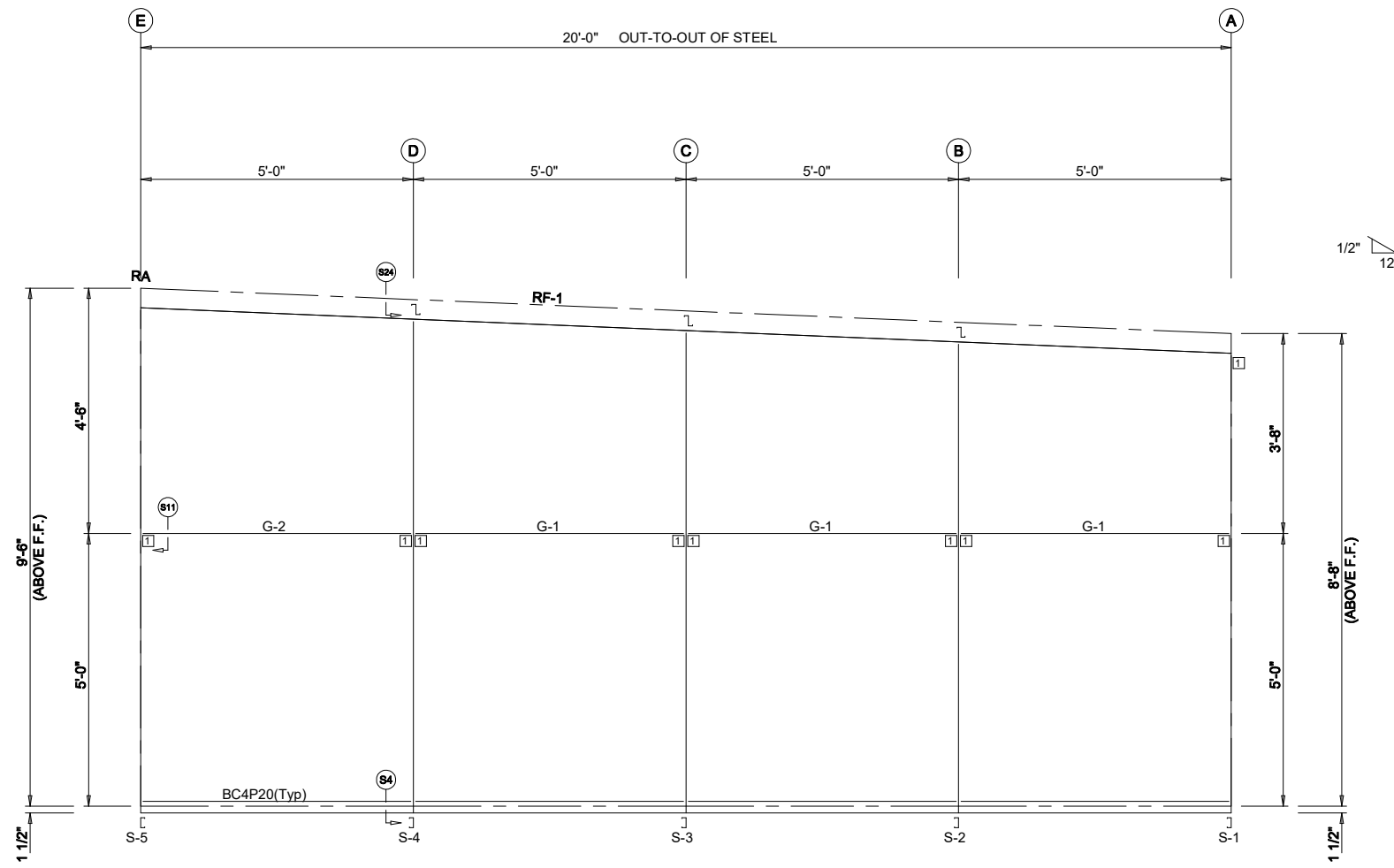
Locked\_Loon\_2  
 PROJECT: 20 x 170 x 8.7 x 9.5  
 LOCATION: Cologne, MN 55332  
 Locked Loon Expansion

**Wilshar Steel**  
 124 Mt. Hebron Rd.  
 Lowell, AR 72745  
 Phone: 479-986-0311

DWG # .

Sheet

01



ENDWALL FRAMING FRAME LINE: 18



ENDWALL SHEETING & TRIM FRAME LINE: 18

PANELS: 26 Ga. RL - Gray 40 yr

MARK	PART	LENGTH
S-1	C4216	8'-8"
S-2	C4216	8'-10 1/2"
S-3	C4216	9'-1"
S-4	C4216	9'-3 1/2"
S-5	C4216	9'-7 1/2"
RF-1	C4216	20'-0 3/16"
G-1	C4216	4'-10"
G-2	C4216	4'-8"

CONNECTION PLATES

ID	MARK/PART
1	MINICLIP

CONFIDENTIAL AND PROPRIETARY INFORMATION  
 THESE DRAWINGS ARE THE SOLE AND EXCLUSIVE PROPERTY OF WILSHAR STEEL. SENSITIVE, PRIVILEGED, AND CONFIDENTIAL INFORMATION CONTAINED HEREIN IS NOT TO BE DISCLOSED OR REPRODUCED TO ANY OTHER PERSONS WITHOUT THE WRITTEN PERMISSION OF WILSHAR STEEL. UNAUTHORIZED PERSONS IS STRICTLY PROHIBITED THESE DRAWINGS MAY NOT BE USED TO CONSTRUCT LIKE PROJECTS WITHOUT WRITTEN PERMISSION FROM WILSHAR STEEL. THIS DOCUMENT AND ITS CONTENTS MUST BE RETURNED UPON DEMAND.

Locked\_Loon\_2  
 PROJECT: 20 x 170 x 8.7 x 9.5  
 LOCATION: Cologne, MN 55332  
 Locked Loon Expansion

**Wilshar Steel**  
 124 Mt. Hebron Rd.  
 Lowell, AR 72745  
 Phone: 479-986-0311

DWG # .

Sheet

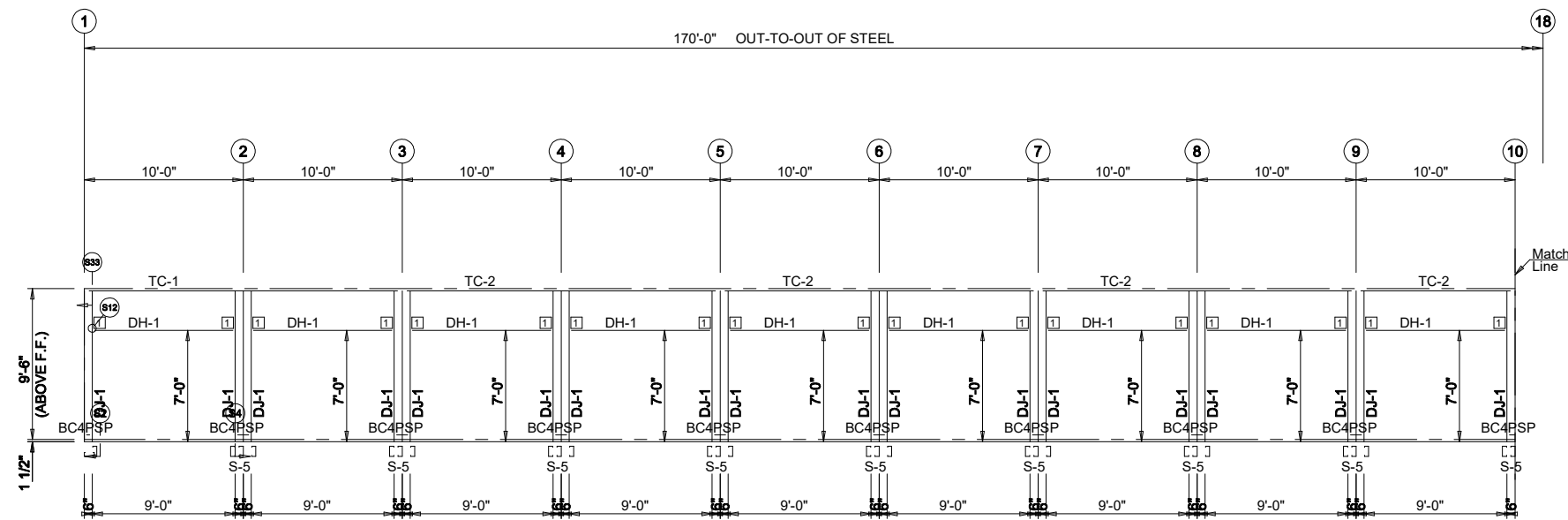
03

APPROVAL	ISSUED FOR	BY	DATE
			6/ 2/25

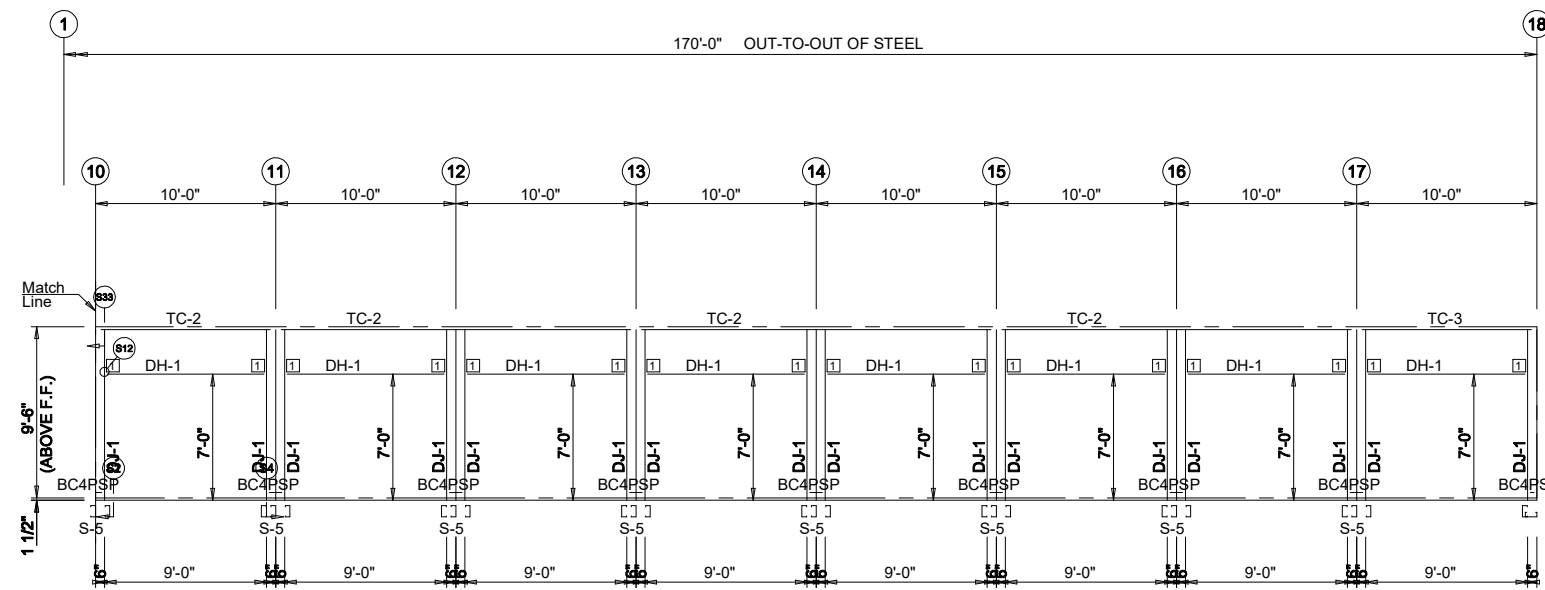
MARK	PART	LENGTH
S-5	C4216	9'-7 1/2"
DJ-1	C43516	9'-7 1/4"
TC-1	U4216	19'-11 3/4"
TC-2	U4216	20'-0"
TC-3	U4216	9'-11 3/4"
DH-1	C4216	9'-0"

CONNECTION PLATES

<input type="checkbox"/> ID	MARK/PART
<input checked="" type="checkbox"/>	1 MINICLIP



SIDEWALL FRAMING FRAME LINE: E



SIDEWALL FRAMING FRAME LINE: E

CONFIDENTIAL AND PROPRIETARY INFORMATION  
 THESE DRAWINGS ARE THE SOLE AND EXCLUSIVE PROPERTY OF WILSHAR STEEL. SENSITIVE, PRIVILEGED, AND CONFIDENTIAL INFORMATION CONTAINED HEREIN IS NOT TO BE DISCLOSED OR USED FOR ANY OTHER PROJECTS WITHOUT THE WRITTEN PERMISSION OF WILSHAR STEEL. UNAUTHORIZED PERSONS ARE STRICTLY PROHIBITED FROM REPRODUCING, COPYING, OR TRANSMITTING THESE DRAWINGS. THIS DOCUMENT IS TO BE USED FOR THE PROJECTS SPECIFICALLY IDENTIFIED IN THIS DOCUMENT. COPIES MUST BE RETURNED UPON DEMAND.

Locked\_Loon\_2  
 PROJECT: 20 x 170 x 8.7 x 9.5  
 LOCATION: Cologne, MN 55332  
 Locked Loon Expansion

**Wilshar Steel**  
 124 Mt. Hebron Rd.  
 Lowell, AR 72745  
 Phone: 479-986-0311

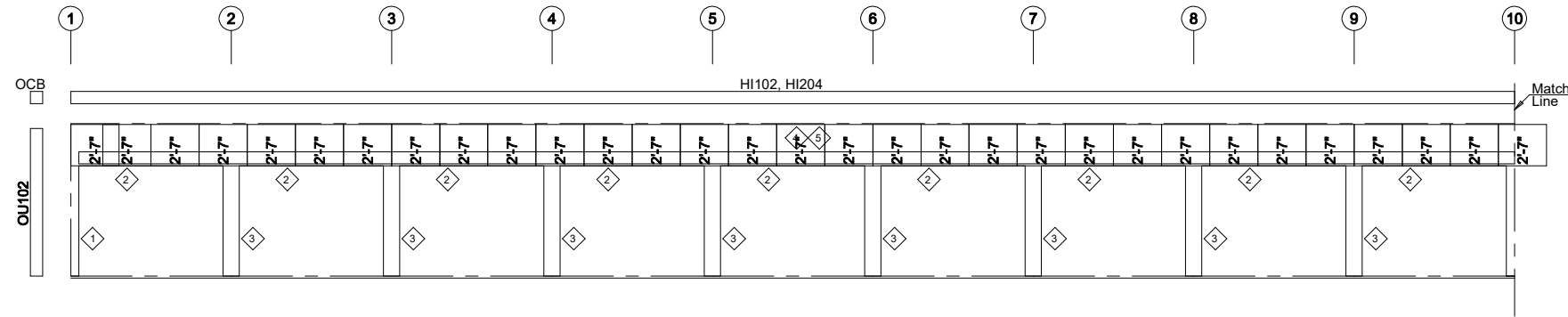
DWG # .

Sheet

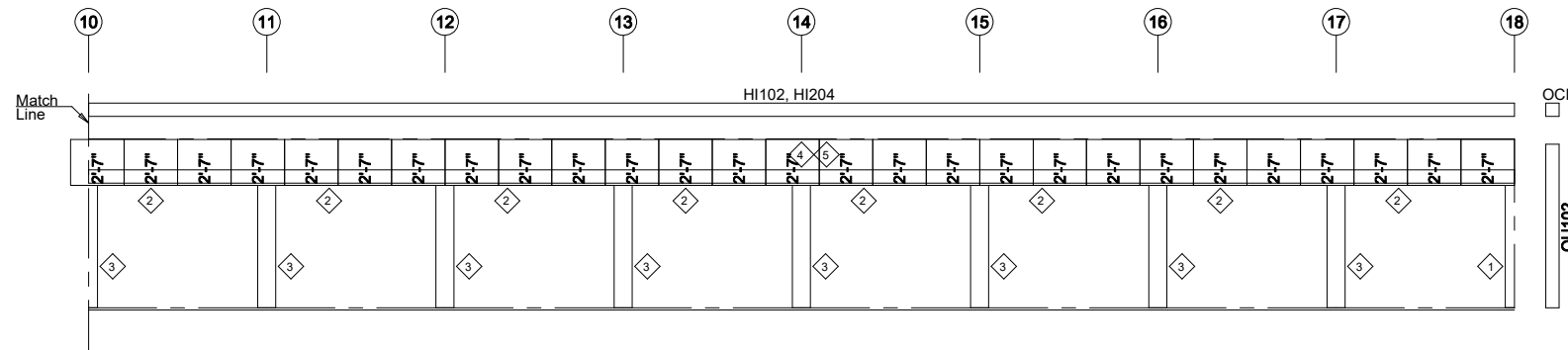
05

APPROVAL	BY	DATE
		6/ 2/25
PRINTS ISSUED FOR		

ID	MARK	LENGTH
1	CM6070	7'-0"
2	HC090	9'-0"
3	MC12F0	7'-0"
4	HE102	10'-2"
5	HE204	20'-4"



SIDEWALL SHEETING & TRIM FRAME LINE: E  
 PANELS: 26 Ga. RL - Gray 40 yr



SIDEWALL SHEETING & TRIM FRAME LINE: E  
 PANELS: 26 Ga. RL - Gray 40 yr

CONFIDENTIAL AND PROPRIETARY INFORMATION  
 THESE DRAWINGS ARE THE SOLE AND EXCLUSIVE PROPERTY OF WILSHAR STEEL. SENSITIVE, PRIVILEGED, AND CONFIDENTIAL INFORMATION CONTAINED HEREIN IS TO BE USED ONLY FOR THE PROJECTS IDENTIFIED THEREIN. UNAUTHORIZED PERSONS ARE STRICTLY PROHIBITED FROM REPRODUCING, COPIING, OR USING THESE DRAWINGS FOR ANY OTHER PROJECTS WITHOUT WRITTEN PERMISSION FROM WILSHAR STEEL. THIS DOCUMENT AND ALL COPIES MUST BE RETURNED UPON DEMAND.

Locked\_Loon\_2  
 PROJECT: 20 x 170 x 8.7 x 9.5  
 LOCATION: Cologne, MN 55332  
 Locked Loon Expansion

**Wilshar**  
**STEEL**  
 124 Mt. Hebron Rd.  
 Lowell, AR 72745  
 Phone: 479-986-0311

DWG # .

Sheet

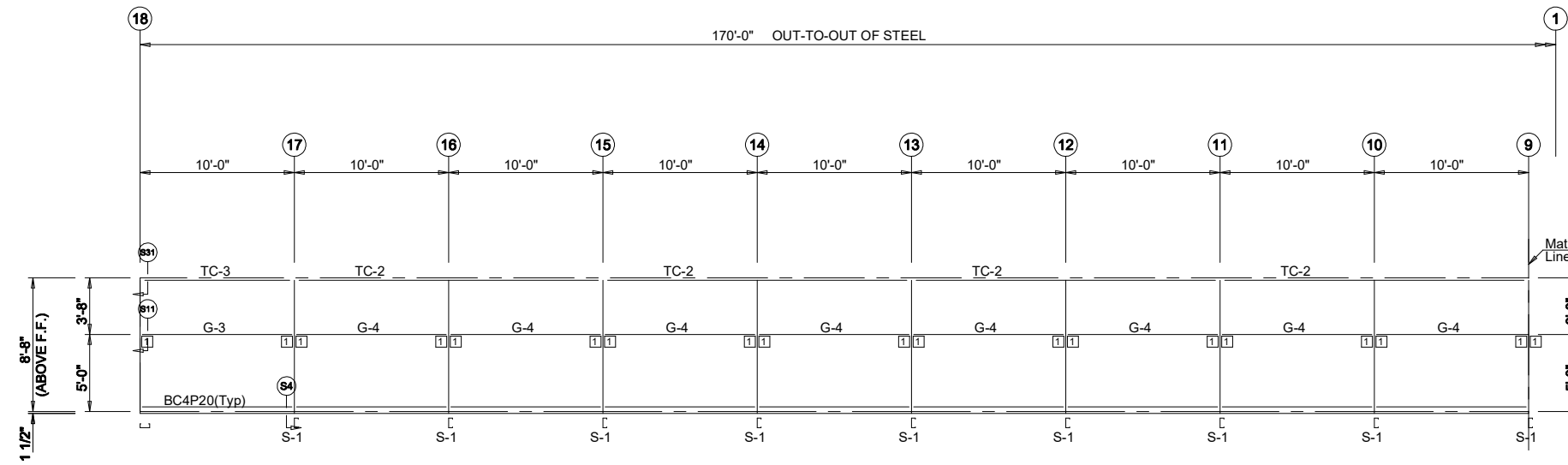
05

APPROVAL	BY	DATE
		6/ 2/25
PRINTS ISSUED FOR		

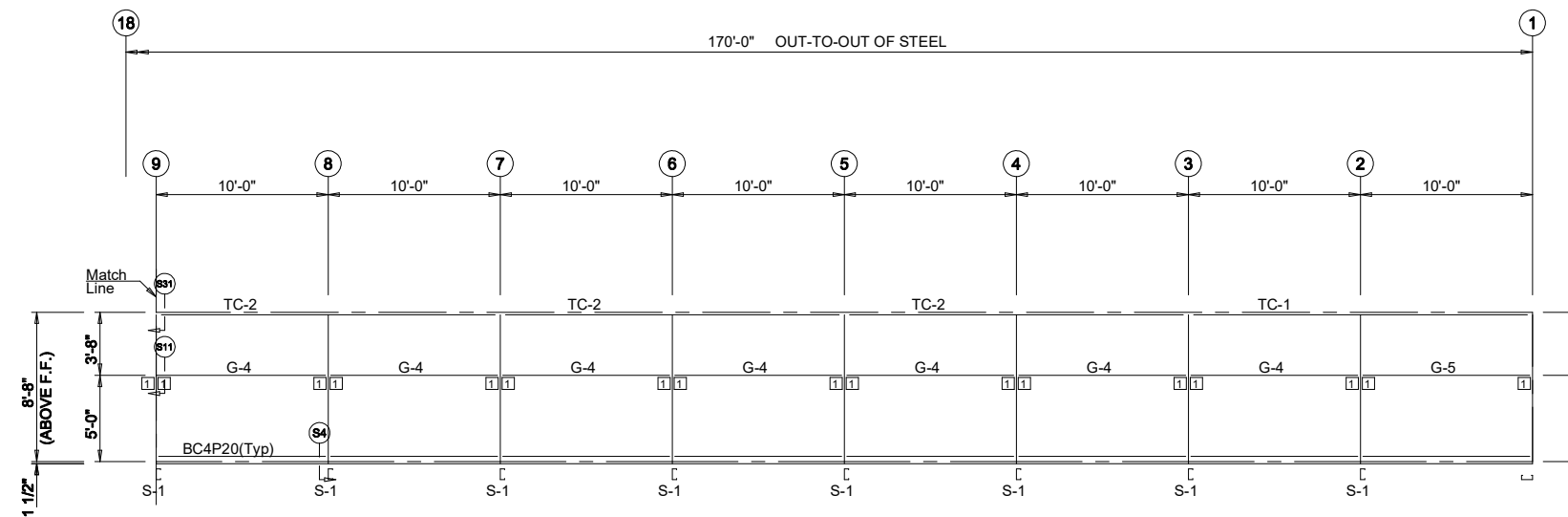
MARK	PART	LENGTH
S-1	C4216	8'-8"
TC-1	U4216	19'-11 3/4"
TC-2	U4216	20'-0"
TC-3	U4216	9'-11 3/4"
G-3	C4216	9'-8"
G-4	C4216	9'-10"
G-5	C4216	9'-6"

CONNECTION PLATES

<input type="checkbox"/> ID	MARK/PART
<input checked="" type="checkbox"/>	1 MINICLIP



SIDEWALL FRAMING FRAME LINE: A



SIDEWALL FRAMING FRAME LINE: A

CONFIDENTIAL AND PROPRIETARY INFORMATION

THESE DRAWINGS ARE THE SOLE AND EXCLUSIVE PROPERTY OF WILSHAR STEEL. SENSITIVE, PRIVILEGED, AND CONFIDENTIAL INFORMATION CONTAINED HEREIN IS TO BE USED ONLY FOR THE PROJECTS, PERMITS, AND SPECIFICATIONS IDENTIFIED IN THESE DRAWINGS. UNAUTHORIZED PERSONS IS STRICTLY PROHIBITED. THESE DRAWINGS MAY NOT BE USED TO CONSTRUCT LIKE PROJECTS WITHOUT WRITTEN PERMISSION FROM WILSHAR STEEL. THIS DOCUMENT AND ALL COPIES MUST BE RETURNED UPON DEMAND.

Locked\_Loon\_2

PROJECT: 20 x 170 x 8.7 x 9.5

LOCATION: Cologne, MN 55332

Locked Loon Expansion

**Wilshar**  
STEEL

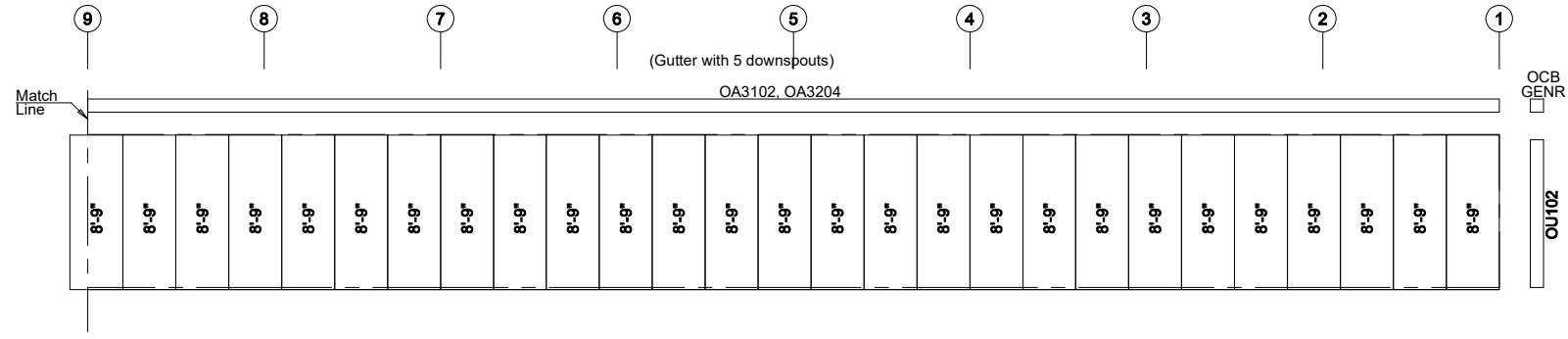
124 Mt. Hebron Rd.  
Lowell, AR 72745  
Phone: 479-986-0311

DWG # .

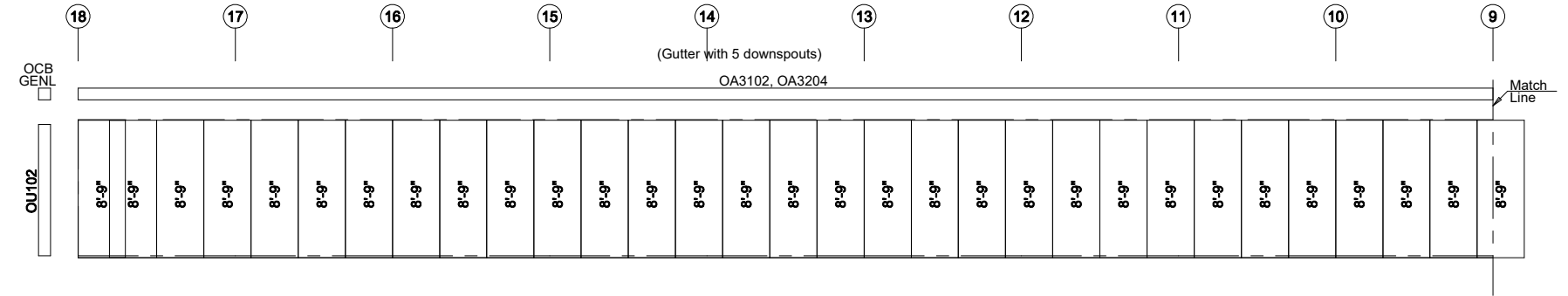
Sheet

07

DATE	BY	APPROVAL	PRINTS ISSUED FOR
6/ 2/25			



SIDEWALL SHEETING & TRIM FRAME LINE: A  
 PANELS: 26 Ga. RL - Gray 40 yr



SIDEWALL SHEETING & TRIM FRAME LINE: A  
 PANELS: 26 Ga. RL - Gray 40 yr

**Wilshar**  
**WSTEEL**  
 124 Mt. Hebron Rd.  
 Lowell, AR 72745  
 Phone: 479-986-0311

DWG # .

Sheet

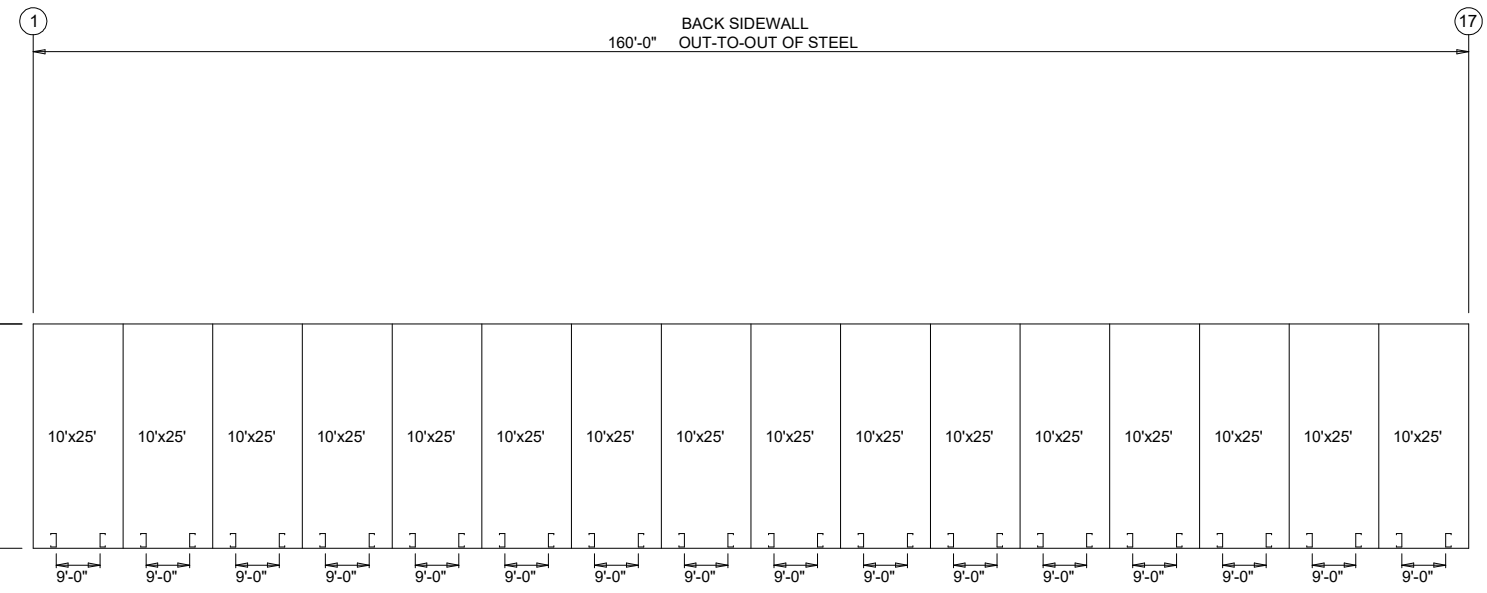
07

Locked\_Loon\_2  
 PROJECT: 20 x 170 x 8.7 x 9.5  
 LOCATION: Cologne, MN 55332  
 Locked Loon Expansion

CONFIDENTIAL AND PROPRIETARY INFORMATION  
 THESE DRAWINGS ARE THE SOLE AND EXCLUSIVE PROPERTY OF WILSHAR STEEL. SENSITIVE, PRIVILEGED, AND CONFIDENTIAL INFORMATION CONTAINED HEREIN IS NOT TO BE DISCLOSED OR REPRODUCED IN ANY MANNER WITHOUT THE WRITTEN PERMISSION OF WILSHAR STEEL. UNAUTHORIZED PERSONS ARE STRICTLY PROHIBITED FROM USING THESE DRAWINGS TO CONSTRUCT OR CONSTRUCT LIKE PROJECTS WITHOUT WRITTEN PERMISSION FROM WILSHAR STEEL. THIS DOCUMENT AND ALL COPIES MUST BE RETURNED UPON DEMAND.

APPROVAL	BY	DATE
		6/ 2/25
PRINTS ISSUED FOR		

(E) 25'-0" LEFT ENDWALL  
OUT-TO-OUT OF STEEL (A)



UNIT LAYOUT PLAN

RIGHT ENDWALL

**Wilshar**  
**WSTEEL**  
124 Mt. Hebron Rd.  
Lowell, AR 72745  
Phone: 479-986-0311

DWG # .

Sheet

15

Locked\_Loon\_3

PROJECT: 25 x 160 x 8.5 x 9.5

LOCATION: Cologne, MN 55332

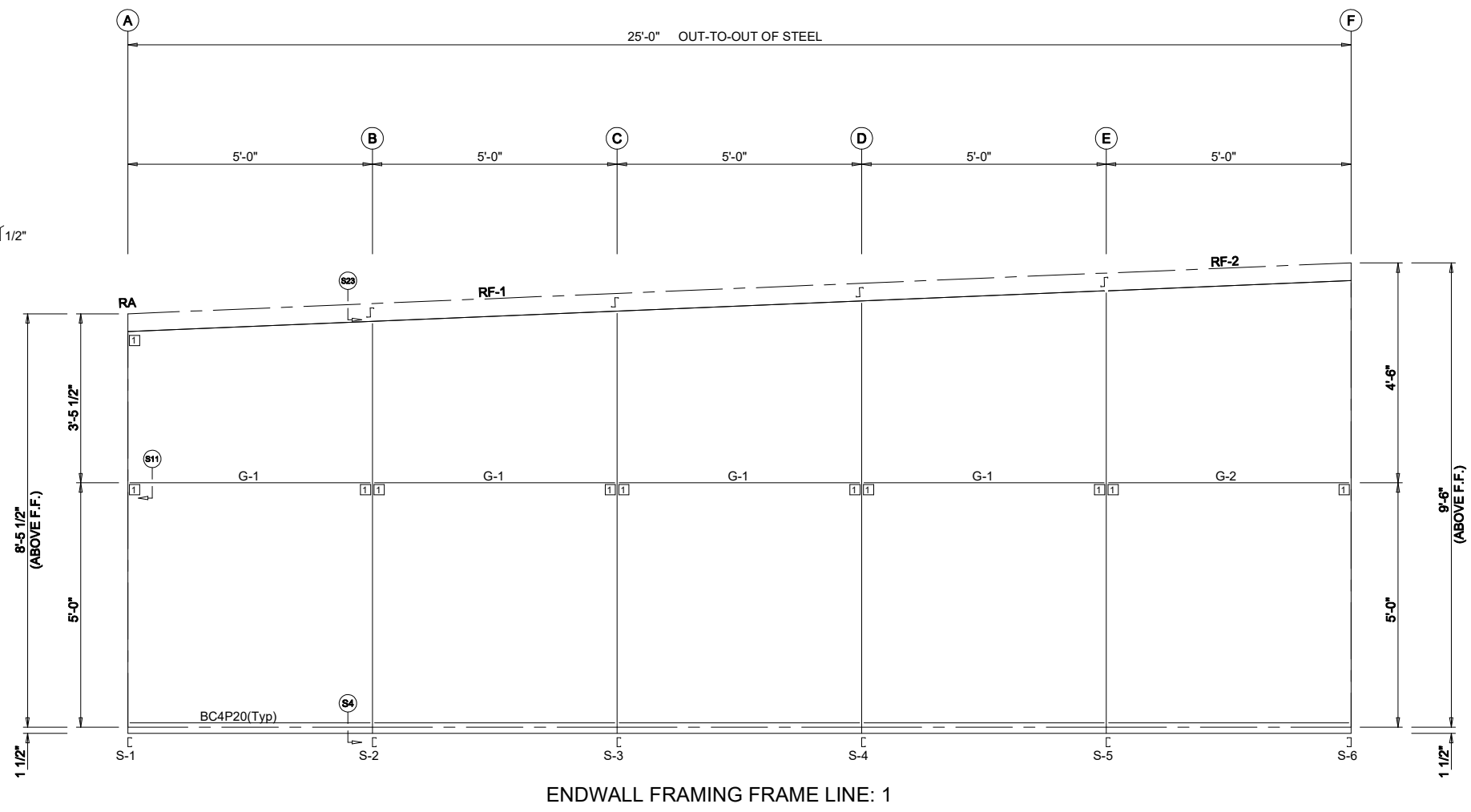
Locked Loon Expansion

CONFIDENTIAL AND PROPRIETARY INFORMATION  
THESE DRAWINGS ARE THE SOLE AND EXCLUSIVE PROPERTY OF WILSHAR STEEL. SENSITIVE, PRIVILEGED, AND CONFIDENTIAL INFORMATION CONTAINED HEREIN IS NOT TO BE DISCLOSED OR USED FOR THE BENEFIT OF ANY OTHER PERSONS. UNAUTHORIZED PERSONS IS STRICTLY PROHIBITED. THESE DRAWINGS MAY NOT BE USED TO CONSTRUCT LIKE PROJECTS WITHOUT WRITTEN PERMISSION FROM WILSHAR STEEL. THIS DOCUMENT AND ALL COPIES MUST BE RETURNED UPON DEMAND.

APPROVAL	BY	DATE
PRINTS ISSUED FOR		6/ 2/25

1/2" / 12

1/2" / 12



ENDWALL FRAMING FRAME LINE: 1



ENDWALL SHEETING & TRIM FRAME LINE: 1

PANELS: 26 Ga. RL - Gray 40 yr

MARK	PART	LENGTH
S-1	C4216	8'-5 1/2"
S-2	C4216	8'-8"
S-3	C4216	8'-10 1/2"
S-4	C4216	9'-1"
S-5	C4216	9'-3 1/2"
S-6	C4216	9'-7 1/2"
RF-1	C4216	20'-0 3/16"
RF-2	C4216	5'-0 1/16"
G-1	C4216	4'-10"
G-2	C4216	4'-8"

CONNECTION PLATES	
□ ID	MARK/PART
1	MINICLIP

APPROVAL	BY	DATE
		6/ 2/25

CONFIDENTIAL AND PROPRIETARY INFORMATION  
 THESE DRAWINGS ARE THE SOLE AND EXCLUSIVE PROPERTY OF WILSHAR STEEL. SENSITIVE, PRIVILEGED, AND CONFIDENTIAL INFORMATION CONTAINED HEREIN IS NOT TO BE DISCLOSED OR USED FOR ANY OTHER PROJECTS WITHOUT THE WRITTEN PERMISSION OF WILSHAR STEEL. UNAUTHORIZED PERSONS ARE STRICTLY PROHIBITED FROM REPRODUCING OR USING THESE DRAWINGS FOR ANY PROJECTS WITHOUT WRITTEN PERMISSION FROM WILSHAR STEEL. THIS DOCUMENT AND ALL COPIES MUST BE RETURNED UPON DEMAND.

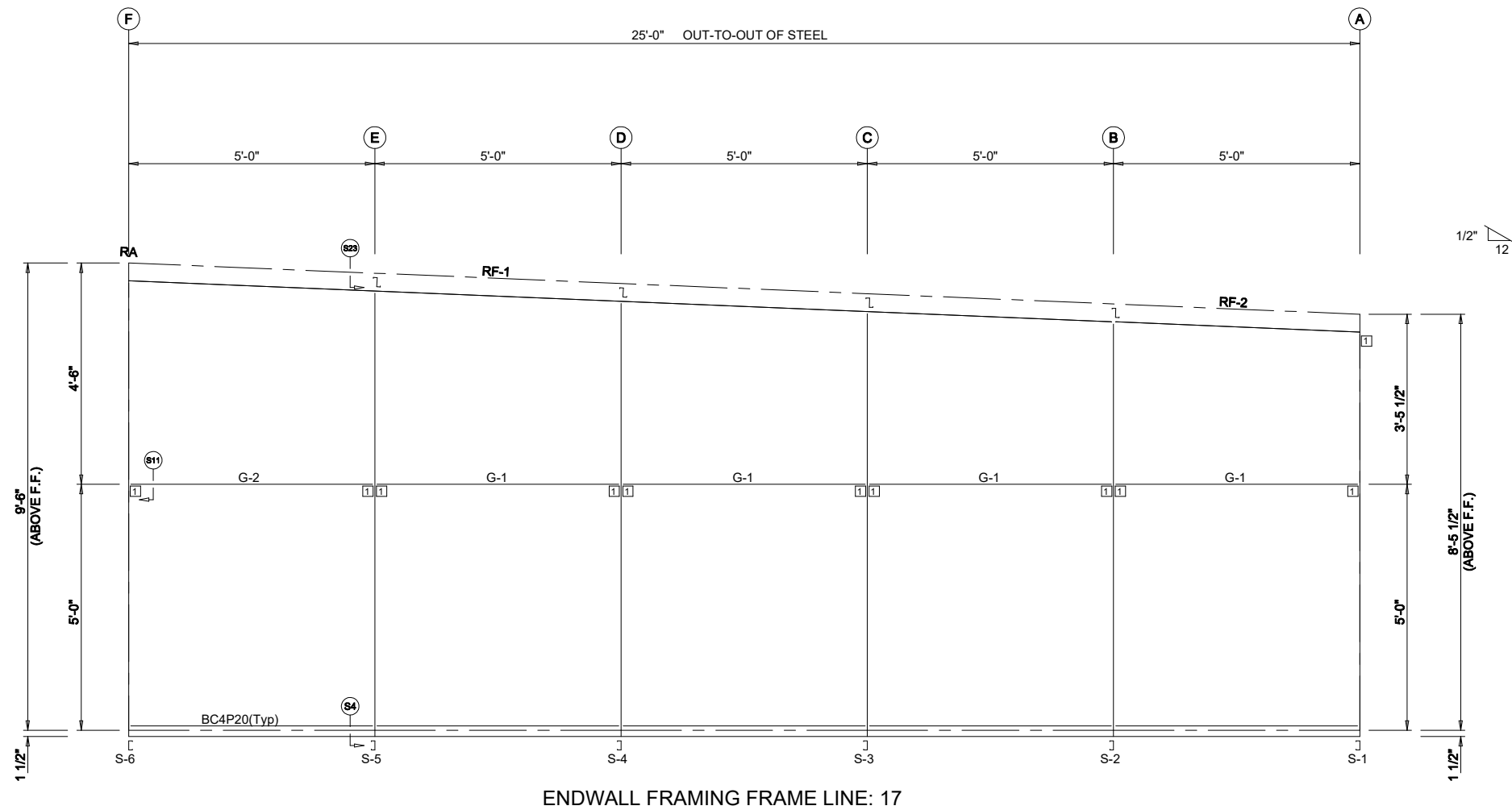
Locked\_Loon\_3  
 PROJECT: 25 x 160 x 8.5 x 9.5  
 LOCATION: Cologne, MN 55332  
 Locked Loon Expansion

**Wilshar Steel**  
 124 Mt. Hebron Rd.  
 Lowell, AR 72745  
 Phone: 479-986-0311

DWG # .

Sheet

01



ENDWALL FRAMING FRAME LINE: 17



ENDWALL SHEETING & TRIM FRAME LINE: 17

PANELS: 26 Ga. RL - Gray 40 yr

MARK	PART	LENGTH
S-1	C4216	8'-5 1/2"
S-2	C4216	8'-8"
S-3	C4216	8'-10 1/2"
S-4	C4216	9'-1"
S-5	C4216	9'-3 1/2"
S-6	C4216	9'-7 1/2"
RF-1	C4216	20'-0 3/16"
RF-2	C4216	5'-0 1/16"
G-1	C4216	4'-10"
G-2	C4216	4'-8"

CONNECTION PLATES	
<input type="checkbox"/> ID	MARK/PART
<input checked="" type="checkbox"/>	1 MINICLIP

APPROVAL	ISSUED FOR	BY	DATE
			6/ 2/25

CONFIDENTIAL AND PROPRIETARY INFORMATION  
 THESE DRAWINGS ARE THE SOLE AND EXCLUSIVE PROPERTY OF WILSHAR STEEL. SENSITIVE, PRIVILEGED, AND CONFIDENTIAL INFORMATION CONTAINED HEREIN IS NOT TO BE DISCLOSED OR USED FOR ANY OTHER PROJECTS WITHOUT THE WRITTEN PERMISSION OF WILSHAR STEEL. UNAUTHORIZED PERSONS ARE STRICTLY PROHIBITED FROM REPRODUCING OR USING THESE DRAWINGS FOR ANY PROJECTS WITHOUT WRITTEN PERMISSION FROM WILSHAR STEEL. THIS DOCUMENT AND ALL COPIES MUST BE RETURNED UPON DEMAND.

Locked\_Loon\_3  
 PROJECT: 25 x 160 x 8.5 x 9.5  
 LOCATION: Cologne, MN 55332  
 Locked Loon Expansion

**Wilshar Steel**  
 124 Mt. Hebron Rd.  
 Lowell, AR 72745  
 Phone: 479-986-0311

DWG # .

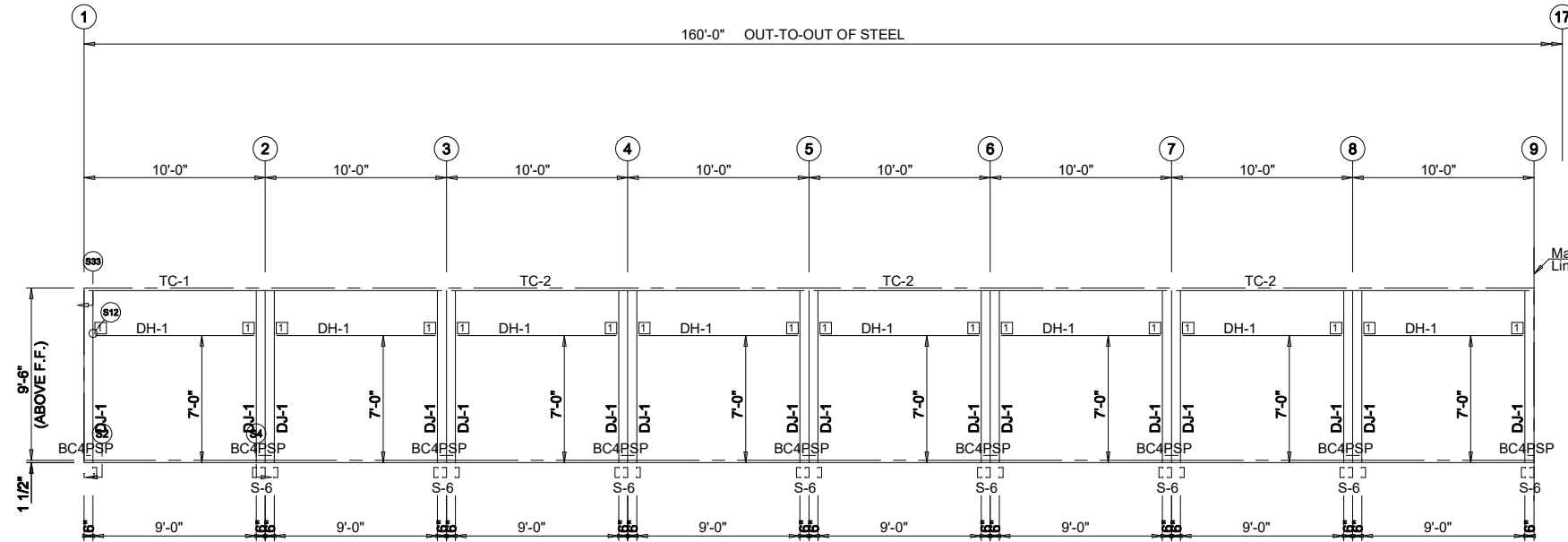
Sheet

03

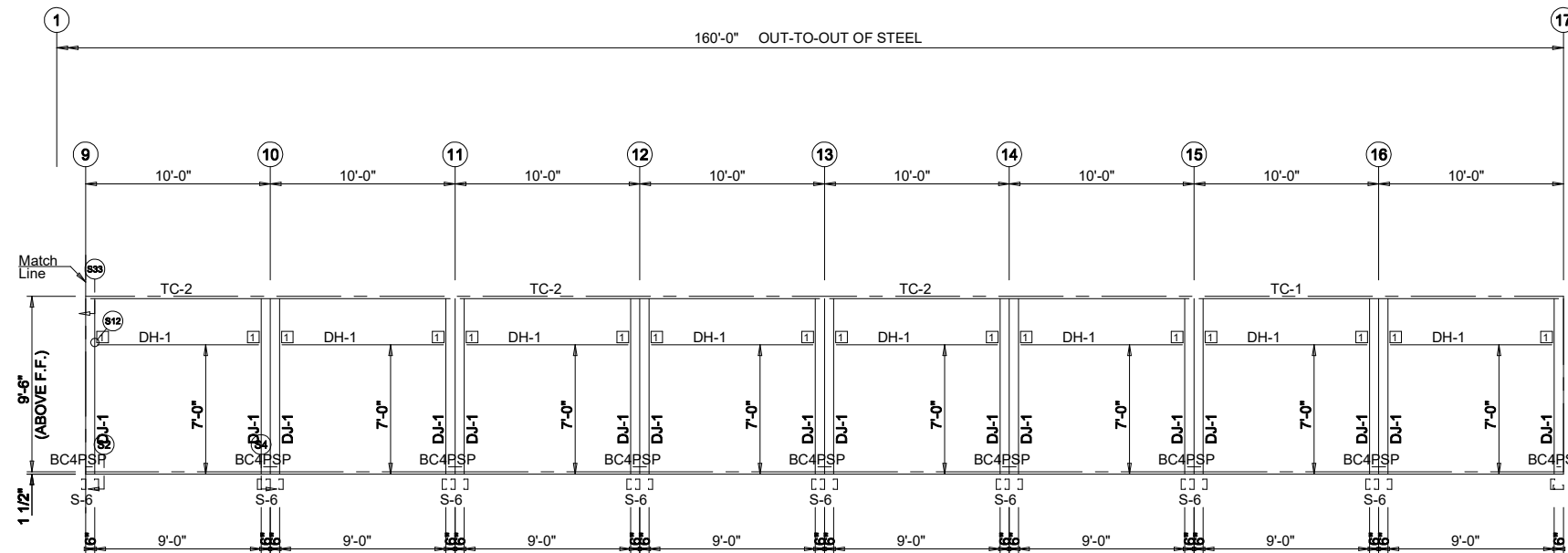
MEMBER TABLE		
MARK	PART	LENGTH
S-6	C4216	9'-7 1/2"
DJ-1	C43516	9'-7 1/4"
TC-1	U4216	19'-11 3/4"
TC-2	U4216	20'-0"
DH-1	C4216	9'-0"

CONNECTION PLATES

<input type="checkbox"/> ID	MARK/PART
<input checked="" type="checkbox"/>	1 MINICLIP



SIDEWALL FRAMING FRAME LINE: F



SIDEWALL FRAMING FRAME LINE: F

CONFIDENTIAL AND PROPRIETARY INFORMATION  
 THESE DRAWINGS ARE THE SOLE AND EXCLUSIVE PROPERTY OF WILSHAR STEEL. SENSITIVE, PRIVILEGED, AND CONFIDENTIAL INFORMATION CONTAINED HEREIN IS TO BE USED ONLY FOR THE PROJECTS IDENTIFIED THEREIN. NO PART OF THESE DRAWINGS OR INFORMATION CONTAINED HEREIN IS TO BE REPRODUCED, COPIED, OR TRANSMITTED IN ANY FORM OR BY ANY MEANS, ELECTRONIC OR MECHANICAL, WITHOUT THE WRITTEN PERMISSION FROM WILSHAR STEEL. THIS DOCUMENT AND ALL COPIES MUST BE RETURNED UPON DEMAND.

Locked\_Loon\_3  
 PROJECT: 25 x 160 x 8.5 x 9.5  
 LOCATION: Cologne, MN 55332  
 Locked Loon Expansion

**Wilshar Steel**  
 124 Mt. Hebron Rd.  
 Lowell, AR 72745  
 Phone: 479-986-0311

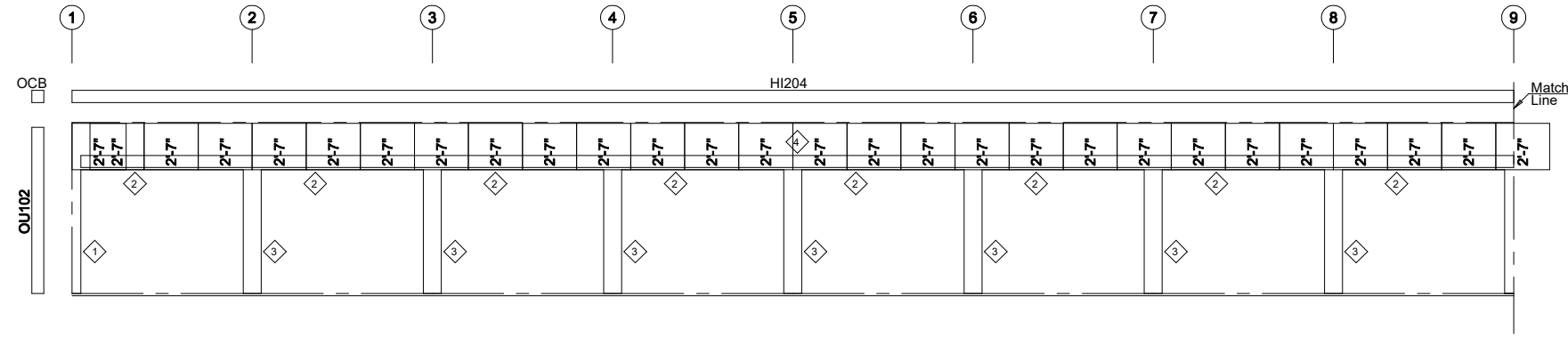
DWG # .

Sheet

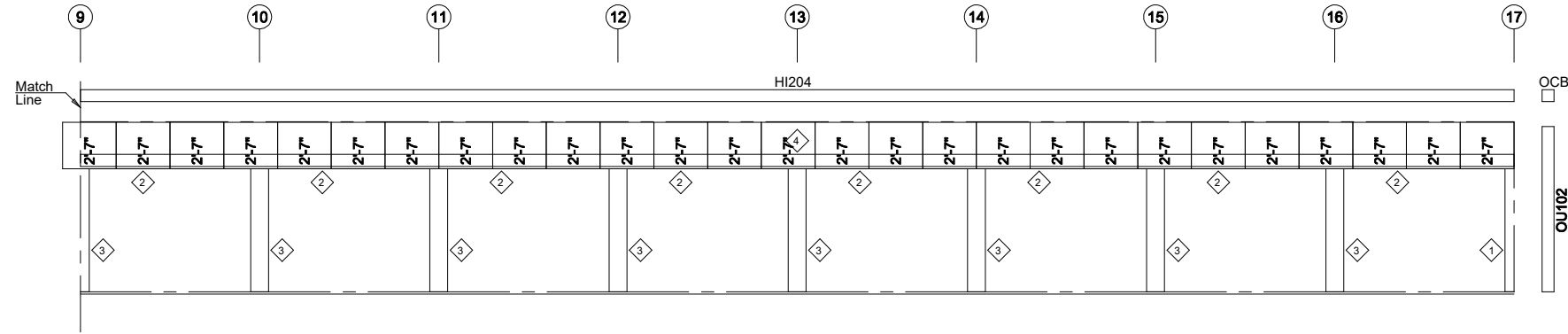
05

APPROVAL	BY	DATE
		6/ 2/25
PRINTS ISSUED FOR		

ID	MARK	LENGTH
1	CM6070	7'-0"
2	HC090	9'-0"
3	MC12F0	7'-0"
4	HE204	20'-4"



SIDEWALL SHEETING & TRIM FRAME LINE: F  
PANELS: 26 Ga. RL - Gray 40 yr



SIDEWALL SHEETING & TRIM FRAME LINE: F  
PANELS: 26 Ga. RL - Gray 40 yr

CONFIDENTIAL AND PROPRIETARY INFORMATION  
 THESE DRAWINGS ARE THE SOLE AND EXCLUSIVE PROPERTY OF WILSHAR STEEL. SENSITIVE, PRIVILEGED, AND CONFIDENTIAL INFORMATION CONTAINED HEREIN IS TO BE USED ONLY FOR THE PROJECTS IDENTIFIED HEREIN. NO PART OF THESE DRAWINGS OR UNAUTHORIZED PERSONS IS STRICTLY PROHIBITED. THESE DRAWINGS MAY NOT BE USED TO CONSTRUCT LIKE PROJECTS WITHOUT WRITTEN PERMISSION FROM WILSHAR STEEL. THIS DOCUMENT AND ALL COPIES MUST BE RETURNED UPON DEMAND.

Locked\_Loon\_3  
 PROJECT: 25 x 160 x 8.5 x 9.5  
 LOCATION: Cologne, MN 55332  
 Locked Loon Expansion

**Wilshar Steel**  
 124 Mt. Hebron Rd.  
 Lowell, AR 72745  
 Phone: 479-986-0311

DWG # .

Sheet

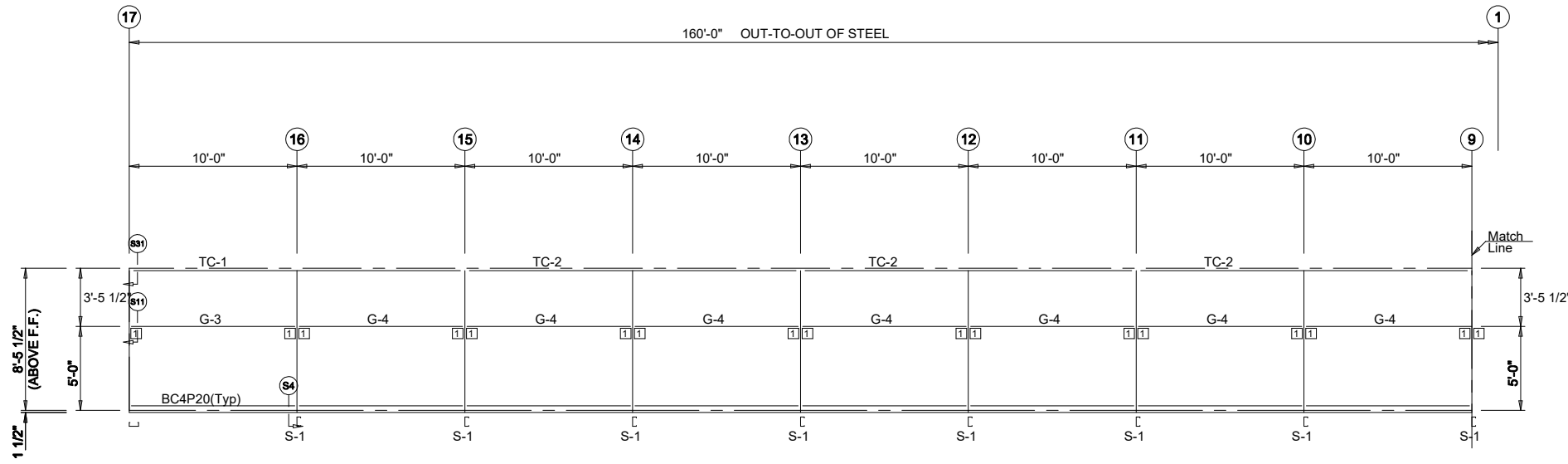
05

APPROVAL	BY	DATE
		6/2/25

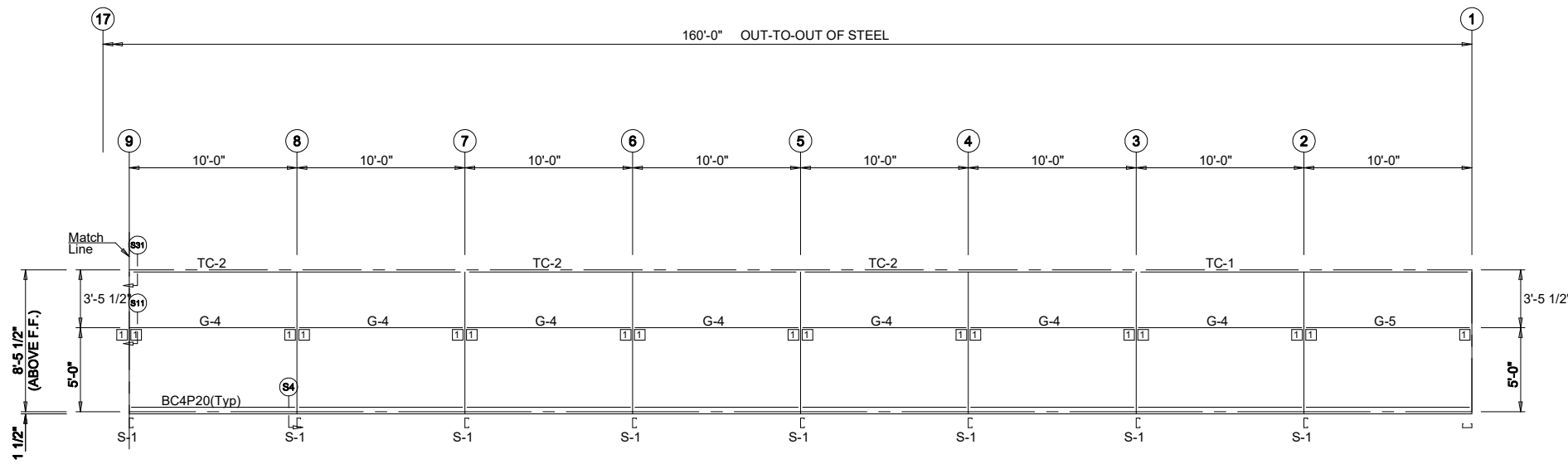
MARK	PART	LENGTH
S-1	C4216	8'-5 1/2"
TC-1	U4216	19'-11 3/4"
TC-2	U4216	20'-0"
G-3	C4216	9'-8"
G-4	C4216	9'-10"
G-5	C4216	9'-6"

CONNECTION PLATES

<input type="checkbox"/> ID	MARK/PART
<input checked="" type="checkbox"/>	1 MINICLIP



SIDEWALL FRAMING FRAME LINE: A



SIDEWALL FRAMING FRAME LINE: A

CONFIDENTIAL AND PROPRIETARY INFORMATION  
 THESE DRAWINGS ARE THE SOLE AND EXCLUSIVE PROPERTY OF WILSHAR STEEL. SENSITIVE, PRIVILEGED, AND CONFIDENTIAL INFORMATION CONTAINED HEREIN IS NOT TO BE DISCLOSED OR USED FOR ANY OTHER PROJECTS WITHOUT THE WRITTEN PERMISSION OF WILSHAR STEEL. UNAUTHORIZED PERSONS ARE STRICTLY PROHIBITED FROM REPRODUCING, COPIING, OR TRANSMITTING THESE DRAWINGS. THESE DRAWINGS MAY NOT BE USED TO CONSTRUCT LIKE PROJECTS WITHOUT WRITTEN PERMISSION FROM WILSHAR STEEL. THIS DOCUMENT AND ALL COPIES MUST BE RETURNED UPON DEMAND.

Locked\_Loon\_3  
 PROJECT: 25 x 160 x 8.5 x 9.5  
 LOCATION: Cologne, MN 55332  
 Locked Loon Expansion

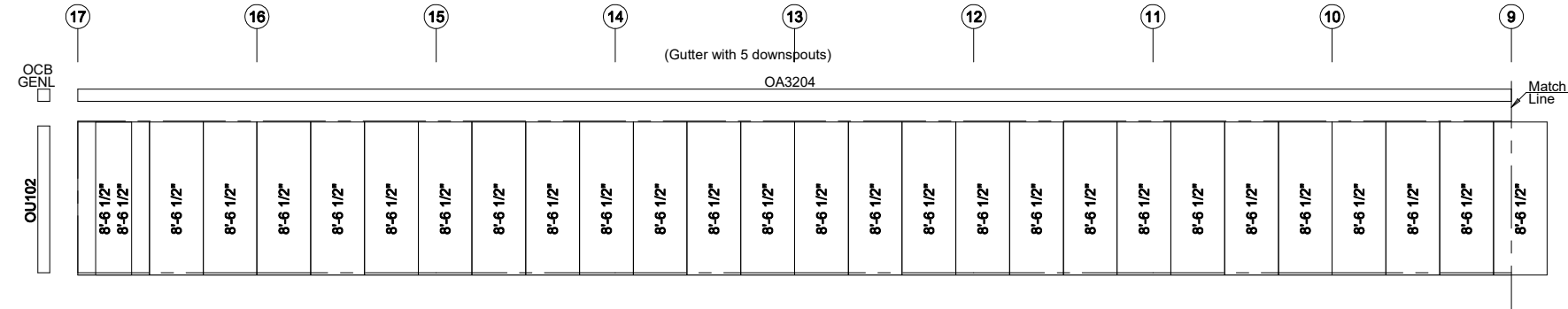
**Wilshar Steel**  
 124 Mt. Habron Rd.  
 Lowell, AR 72745  
 Phone: 479-986-0311

DWG # .

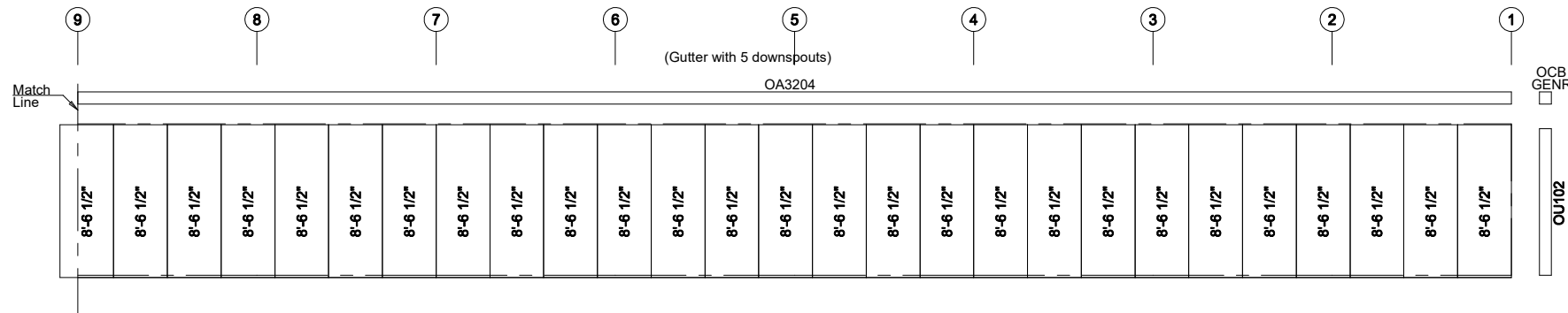
Sheet

07

APPROVAL	BY	DATE
		6/ 2/25
PRINTS ISSUED FOR		



SIDEWALL SHEETING & TRIM FRAME LINE: A  
 PANELS: 26 Ga. RL - Gray 40 yr



SIDEWALL SHEETING & TRIM FRAME LINE: A  
 PANELS: 26 Ga. RL - Gray 40 yr

**Wilshar**  
**STEEL**  
 124 Mt. Hebron Rd.  
 Lowell, AR 72745  
 Phone: 479-986-0311

DWG # .

Sheet

07

Locked\_Loon\_3

PROJECT: 25 x 160 x 8.5 x 9.5

LOCATION: Cologne, MN 55332

Locked Loon Expansion

CONFIDENTIAL AND PROPRIETARY INFORMATION  
 THESE DRAWINGS ARE THE SOLE AND EXCLUSIVE PROPERTY OF WILSHAR STEEL. SENSITIVE, PRIVILEGED, AND CONFIDENTIAL INFORMATION CONTAINED HEREIN IS NOT TO BE DISCLOSED OR USED FOR ANY OTHER PROJECTS WITHOUT THE WRITTEN PERMISSION OF WILSHAR STEEL. UNAUTHORIZED PERSONS ARE STRICTLY PROHIBITED FROM REPRODUCING OR TRANSMITTING THESE DRAWINGS. THESE DRAWINGS MAY NOT BE USED TO CONSTRUCT LIKE PROJECTS WITHOUT WRITTEN PERMISSION FROM WILSHAR STEEL. THIS DOCUMENT AND ALL COPIES MUST BE RETURNED UPON DEMAND.

APPROVAL  
 PRINTS ISSUED FOR

BY

6/ 2/25  
 DATE